

Solar Powered Barricade - Lite



Specification

Model No : GABL

Solar Panel

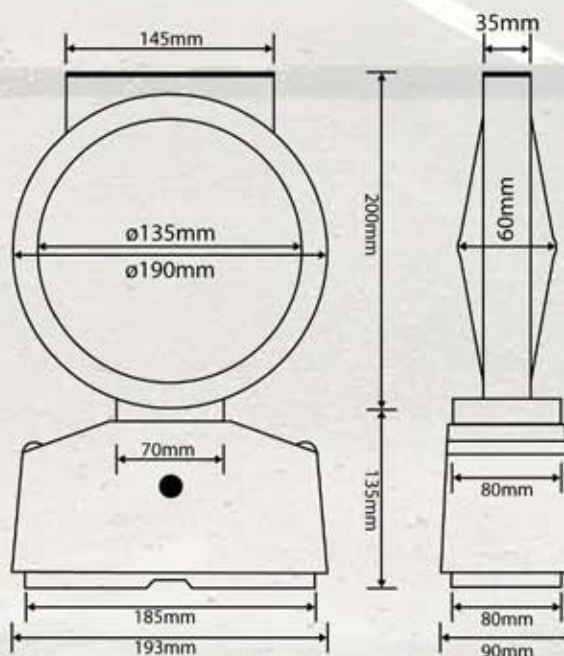
Voltage : 3V
Current : 120 mA
Power : 400mw

Battery

Material : Ni-Metal Hydride
Voltage : 1.5V
Capacity : 2100MA
Operation time : 12 hours at night
Continued working : 100 hours

LED

Colour : Red / Amber / Blue
Operating Temperature : -20°C to -85°C
Quantity : 3pcs (single) / 9pcs (double)
Flashes : 60± flashes / min
Luminance : 3000 mcd x 3 or 6
Weight : 1000g



Applications :

- * Barricade Warning For Roadwork
- * Marking At Front End Of Enter Divider
- * The Entrance Of Bridge Tunnel